

WIDE

Portable Manual



fish wide open!

WHAT YOU HAVE

The Humminbird Portable is available in several different configurations. You may have purchased the Portable case complete with a Humminbird fishfinder ready for operation. The Portable case is also available to adapt a Humminbird product you already own to portable operation.

This manual serves for all applications and there may be minor differences in the hardware included depending on the configuration you purchased.

The Humminbird Portable contains the portable case, a non-removable power cable, cable connector hardware kit, and a transducer mounting hardware kit. This kit contains everything necessary to adapt one of several different transducers to the portable (suction cup) mount. There are some parts included which may not be used depending on the type of transducer you have.

Humminbird Portables are sold with Wide One Hundred, Wide 128, Wide Optic, and Wide Portrait fishfinders. Included are the portable case, a non-removable power cable, transducer mounting hardware, and the cable connector hardware kit. The type of transducer included varies with the fishfinder.

This Operation Manual covers the assembly and operation of the Portable Case and transducer. Operation of the fishfinder is covered in the fishfinder Operation Manual.

A phillips head screwdriver is required for installation.

If you purchased a Portable Case with a fishfinder, additional mounting systems are available as accessories, which allow both a permanent mount and portable use of the same fishfinder. Refer to the Accessory catalog for ordering information.

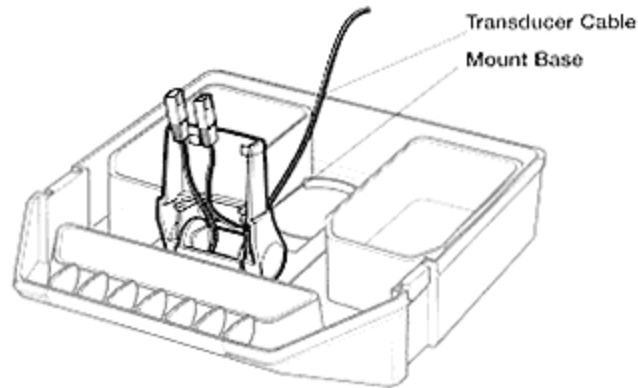
INSTALLATION

PORTABLE CASE ASSEMBLY

Your new Humminbird Portable case incorporates a quick-disconnect mount and connector system for quick and easy removal of your Humminbird unit from the case. The mount allows the unit to tilt 90 degrees for easy viewing from any location.

Open the Portable case and disconnect the cover from the base at the hinge point.

If the Humminbird unit is included, pivot it forward and remove it from the Portable case by depressing the latch on the rear of the unit, and lifting the unit from the mount.

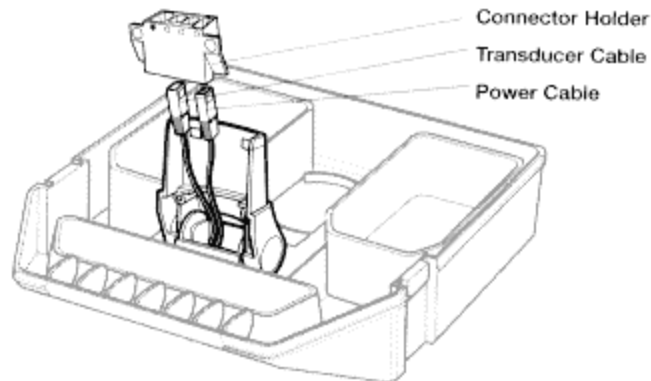


Remove the two battery compartment lids by lifting upwards on the front lip.

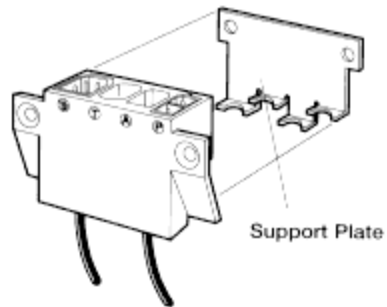
Locate the connector hardware kit and the transducer hardware kit stored in the battery compartments.

Refer to the illustration and route the transducer cable through the rear of the mount base. Insert the power and transducer cable into the connector holder. The slots for the connectors are keyed to prevent reversed installation, so be careful not to force the connector into the holder. The slots for the connections are keyed to prevent reversed installation, so be careful not to force the connector into the holder.

If you are also using the Temp/Speed accessory (Wide Optic and Wide Portrait only), install that connector at this time also.

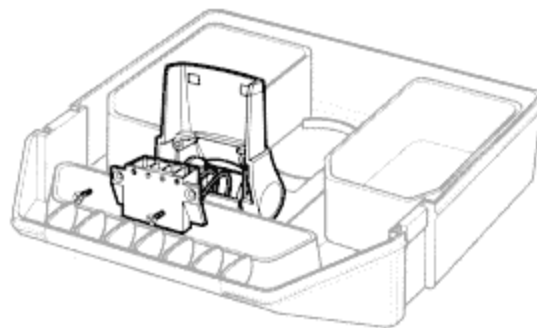


Carefully pull the excess cable from beneath the mounting surface so the connector holder aligns with the mounting holes on the front of the mounting bracket.



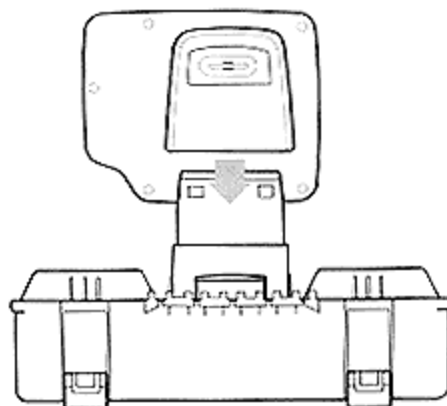
Snap the support plate to the rear of the connector holder as shown in the illustration.

Insert the connector holder assembly into place and use the two # 6-32 x 3/4 " screws to fasten it to the mounting bracket.



Install the Humminbird unit by sliding it onto the mounting bracket until it is fully seated. All cable connections are made automatically.

INSTALLING THE BATTERIES

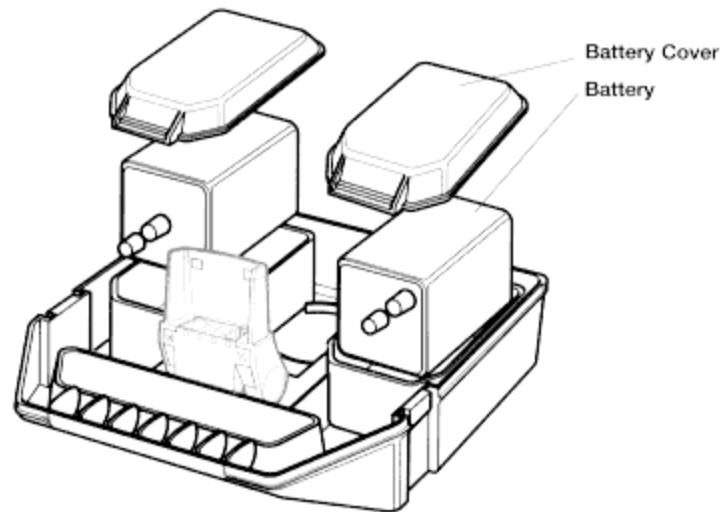


The Humminbird Portable unit is designed to use two 6-volt, lantern batteries with spring type terminals.

Any 6-volt lantern battery may be used: however for maximum battery life, we recommend using heavy-duty alkaline batteries.

The Humminbird Accessory part number "BAP" allows you the use of 4 "D" cell batteries in place of the lantern battery. This allows the use of rechargeable type batteries to power the portable unit. Refer to the Humminbird Accessory catalog for more information.

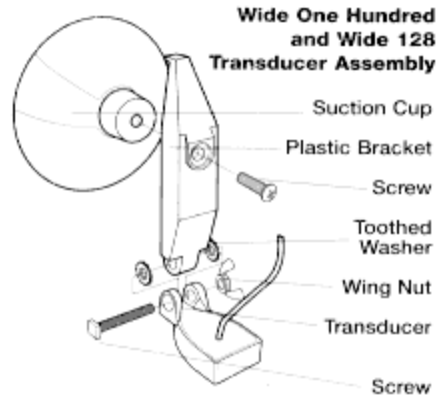
The actual life of a set of batteries can vary greatly depending on the type of battery and the ambient temperature. Wide units can operate 100 hours or more at an ambient temperature of 70 degrees. A decrease in ambient temperature will decrease the life of the battery. Refer to the diagram inside the battery compartments and install the batteries. Since different manufacturers make slightly different size batteries, it may be necessary to adjust the length of the spring contact to insure positive contact.



Re-install the battery covers by inserting the tab at the rear of the cover into the slot on the lower housing, and then snap the lid into place.

PORTABLE TRANSDUCER ASSEMBLY

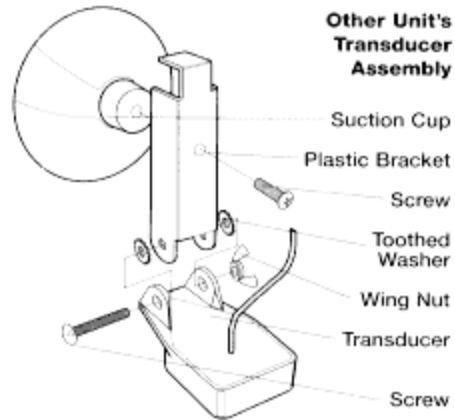
A suction cup mount and mounting bracket is included to adapt a transducer to portable operation. If you purchased the Portable case without the Humminbird unit, three types of mounting brackets are included to adapt your existing Humminbird transducer to portable operation.



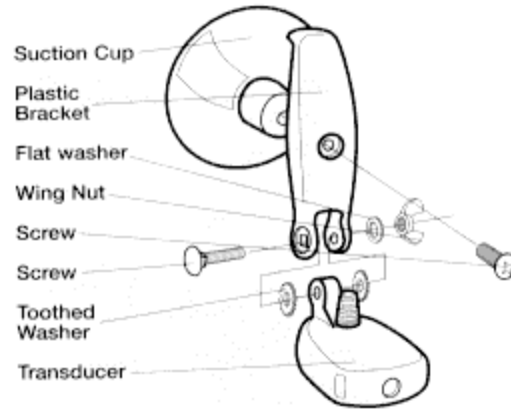
Use the bracket, which fits your transducer, and refer to one of the three following illustrations for the appropriate assembly instructions. Parts have been included for both installation procedures, so there will be some parts remaining.

If you choose to install the transducer permanently, additional hardware will be required. Call Humminbird Customer Support for more information.

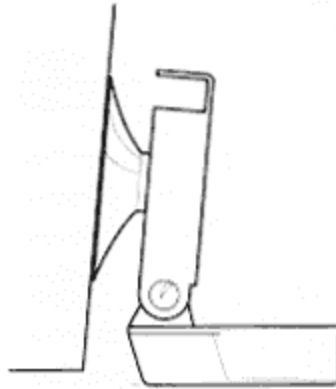
The wing nut allows you to adjust the angle of the transducer in the water so that it points straight down. Initial assembly of the suction cup requires the use of a phillips head screw driver. Installation and adjustment can be performed without the use of tools.



It is important that the transducer be mounted beneath the surface of the water, pointing straight down. The suction cup mount is designed for quick, easy installation and removal, not for high-speed operation. If you intend to operate your boat at any speed faster than trolling speeds, remove the suction cup transducer from the water. The transducer can cause damage or pull the portable unit into the water if it releases at high speed.



You can mount the transducer anywhere on the side of the boat if your boat remains stationary. If you are trolling, it is best to mount the transducer on the transom of the boat.

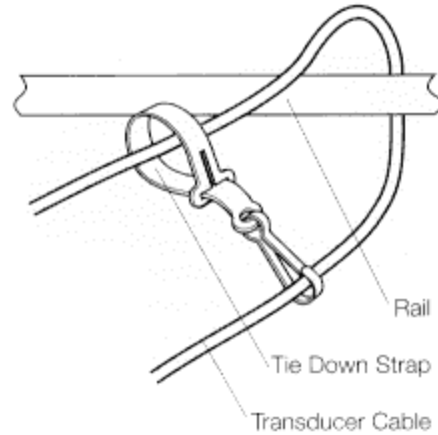


On fiberglass boats it is possible to place the transducer inside the hull of the boat in a pool of water. The sonar signal can pass through the hull of the boat with little signal loss.

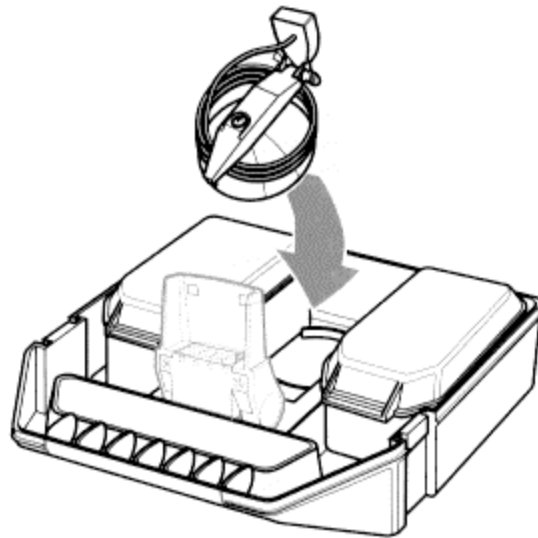
For ice fishing, Humminbird makes a special bracket to position the transducer at the right height and angle in the water.

USING THE HUMMINBIRD PORTABLE

If you are using the suction cup transducer on a moving boat, it is best to secure the transducer cable in case of accidental release. A loose transducer can cause damage to itself, your boat, or become entangled in the propeller. Attach the tie-down strap to the transducer cable and loop the cable around an immovable object such as a rail or fitting as shown in the illustration.



When you have finished using the transducer, pivot the transducer body flat against the bracket and coil the cable around the assembly. The transducer and cable will fit into the center compartment of the Portable case for easy transport.



Pivot the Humminbird unit all the way down and reinstall the upper case.

MAINTENANCE

Your Humminbird Portable fishfinder is designed to provide years of trouble-free operation with virtually no maintenance. Follow the simple procedures below to ensure that your Humminbird Portable continues to deliver top performance.

If you are storing the Portable case for an extended period of time, it is best to remove the batteries from the case in case of leakage.

If the Portable case comes into contact with salt spray, simply wipe the affected surfaces with a cloth dampened in fresh water.

Never leave your Humminbird Portable unit in a closed car or trunk- the extremely high temperature generated in hot weather can damage the electronics.

Repairs should be performed only by authorized Humminbird technicians.

HUMMINBIRD ONE YEAR FULL WARRANTY...

SERVICE POLICY....

WARRANTY...

CUSTOMER SUPPORT...